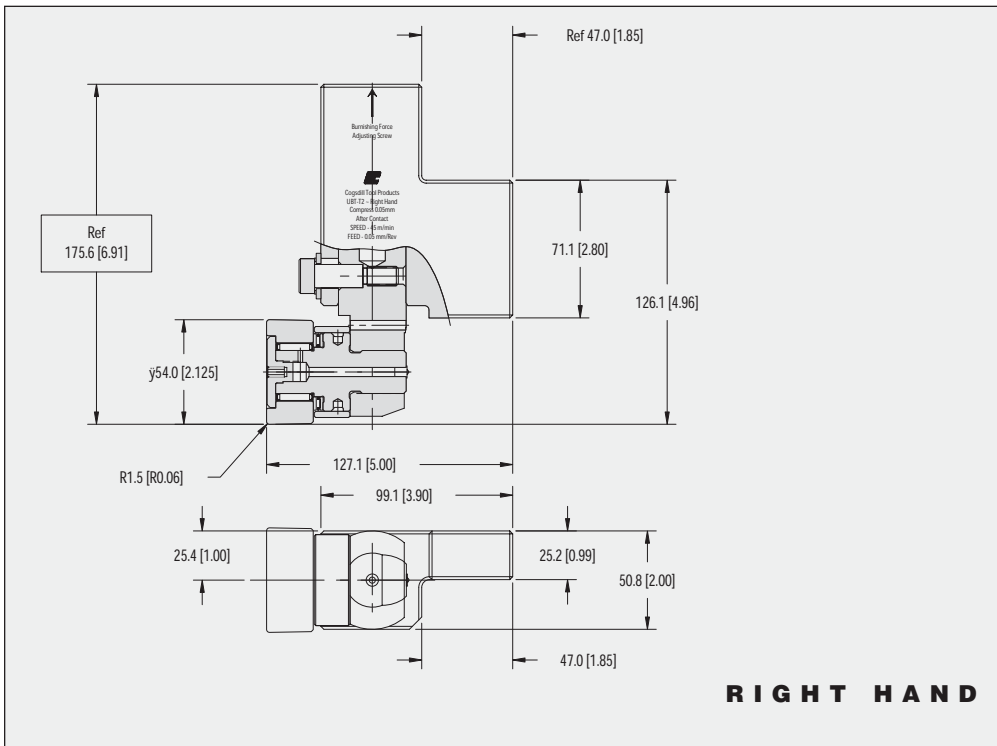
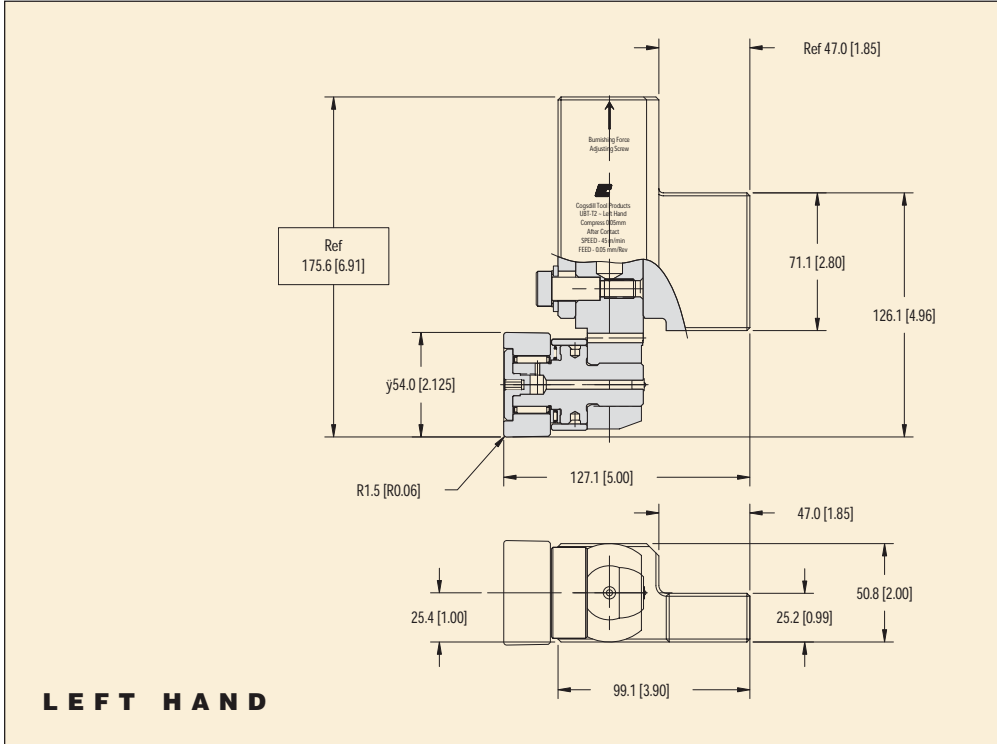


# Turning-holder style



## UBT-T2



FOR  
BURNISHING  
OUTSIDE  
DIAMETERS